

Cabinet U-Handles

Aluminum

SPECIFICATION

Aluminum AL

- Powder coated
 - Black, RAL 9005, textured finish **SW**
 - Silver, RAL 9006, textured finish **SR**
- Plain finish, tumbled **BL**

INFORMATION

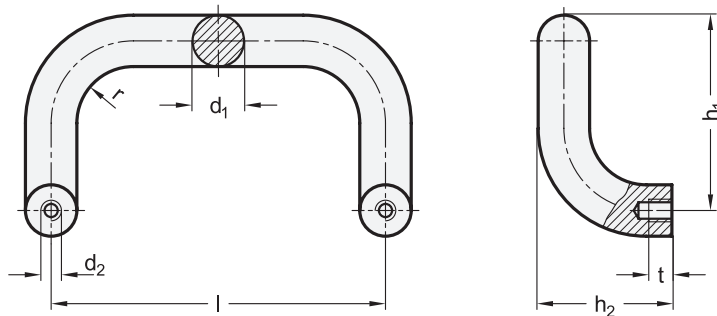
Cabinet U-handles GN 426.1 are manufactured from a bent aluminum profile.

ACCESSORY

- GN 181 Fastening Sets (Mounting from the Operator's Side) (see page 488)

TECHNICAL INFORMATION

- Load Rating Information (see page A35)



* Complete with colour index of the Cabinet "U" handles (SW, SR or BL)

SW
 SR
 BL
 RAL9005 RAL9006 blank

GN 426.1

| Description | d ₁ | Length l | d ₂ | h ₁ | h ₂ | r | t min. | △ |
|----------------------|----------------|----------|----------------|----------------|----------------|----|--------|-----|
| GN 426.1-AL-20-200-* | 20 | 200 | M 8 | 105 | 68 | 22 | 15 | 372 |
| GN 426.1-AL-20-300-* | 20 | 300 | M 8 | 105 | 68 | 22 | 15 | 450 |
| GN 426.1-AL-28-250-* | 28 | 250 | M 10 | 125 | 78 | 32 | 15 | 465 |
| GN 426.1-AL-28-350-* | 28 | 350 | M 10 | 125 | 78 | 32 | 15 | 517 |
| GN 426.1-AL-28-500-* | 28 | 500 | M 10 | 125 | 78 | 32 | 15 | 620 |

Weight SW

